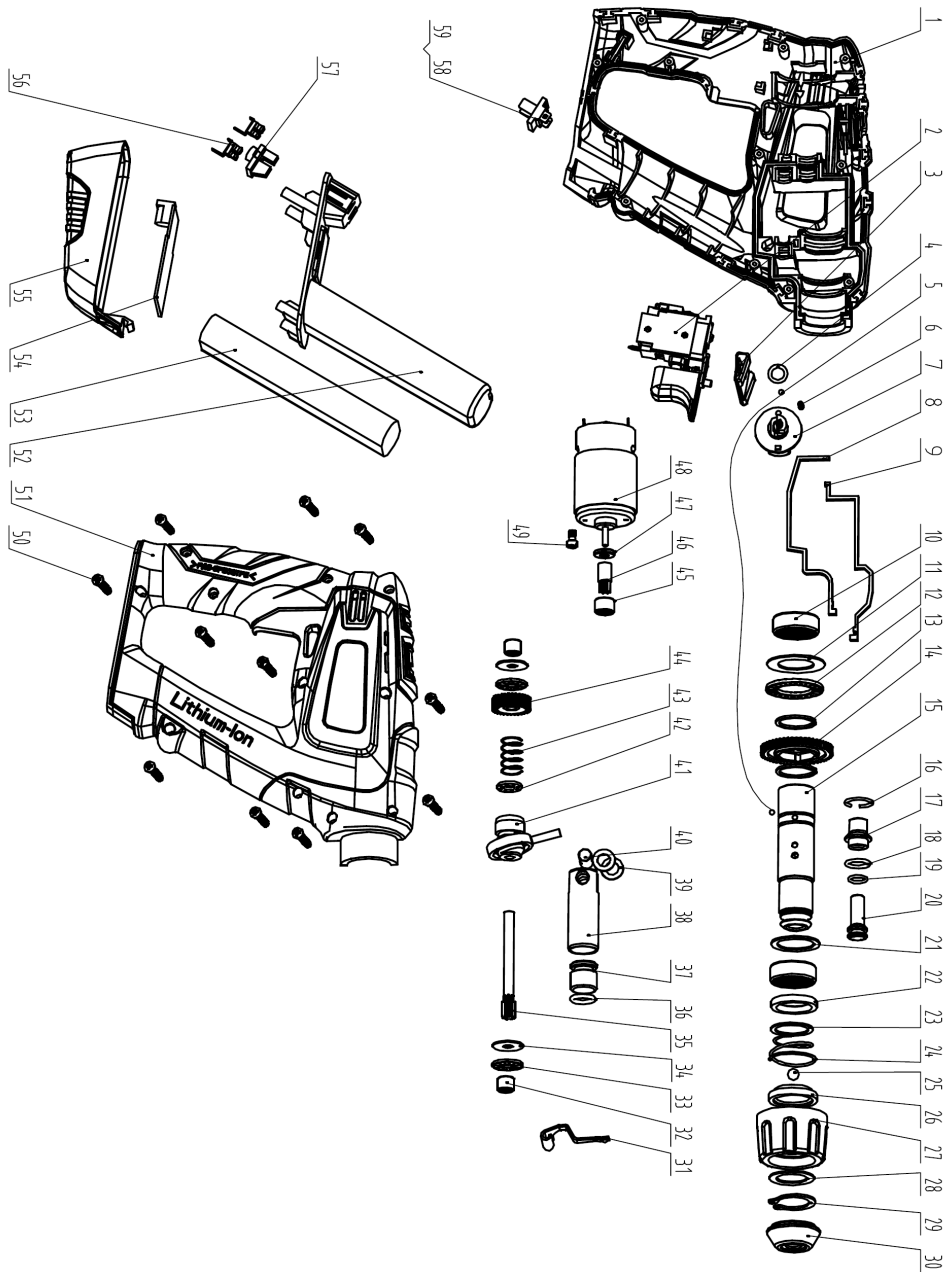


# CTCID144LI-3IN1- BM



No.	Name
1	left shell
2	switch
3	push button
4	O ring 8*2
5	stell ball (3)
6	spring
7	function knob
8	gland strip 1
9	gland strip 2

10	bearing HK2210
11	bearing shim 22
12	bearing 2235
13	gearwheel snap ring
14	gearwheel
15	cylinder
16	baffle ring
17	external ferrule
18	O ring 12*2
19	O ring 8*2
20	impact finger
21	cylinder check plate
22	oil tight
23	shaft check plate
24	lock spring
25	stell ball 7.14
26	snap-ring
27	head cover
28	head cover check plate
29	snap ring 19
30	locking rubber
31	connect sheet
32	bearing HK0608
33	bearing ASK0619
34	bearing shim 6
35	shaft
36	O ring 11*2.5
37	hammerhead
38	piston
39	washer
40	piston pin
41	swing stem bearing
42	bearing ASK0614
43	spring
44	gear
45	bearing HK0808
46	motor gear
47	motor gland ring
48	motor
49	bolt M3
50	bolt ST3*16
51	right shell
52	up shell of battery pack
53	battery
54	protection PCB
55	bottom shell of battery pack I
56	contact pin
57	clapboard
58	contact board
59	plug-in strip