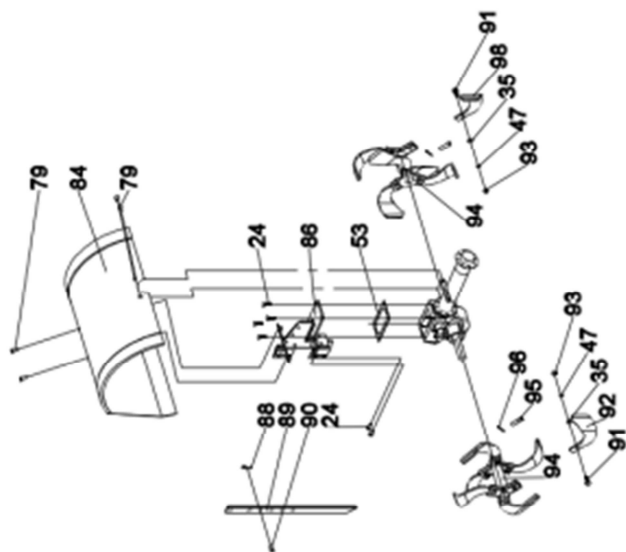
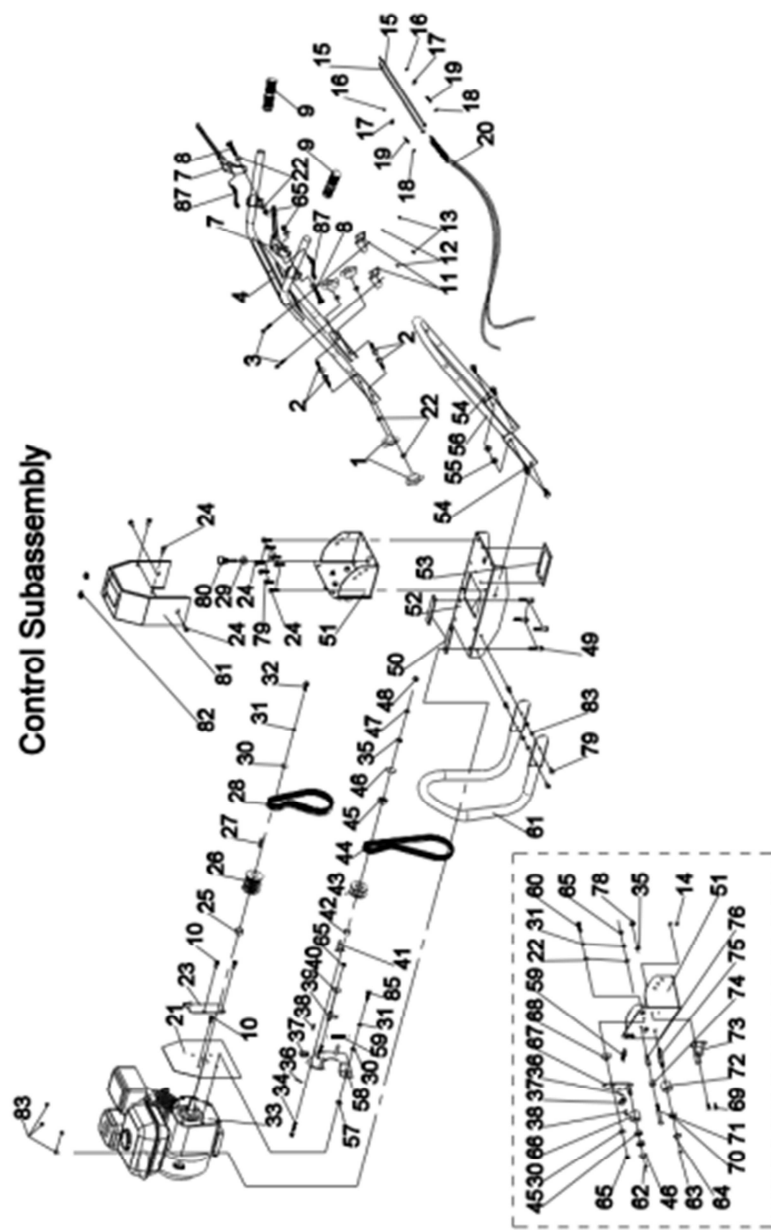


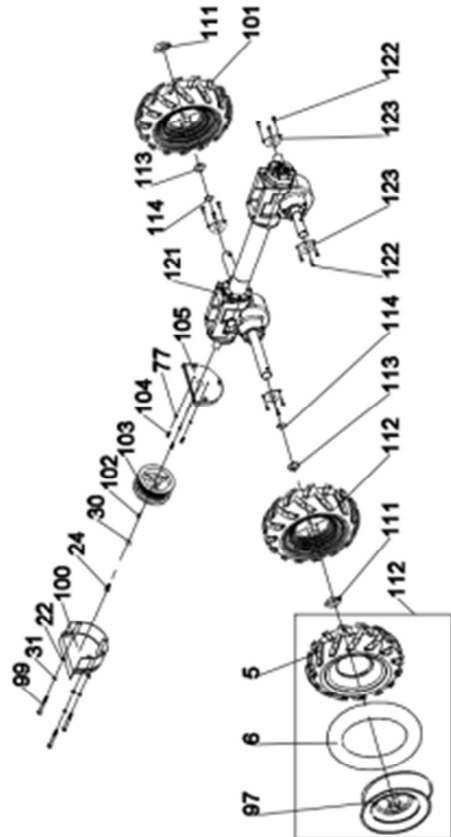
Tine and Fender Subassembly



Control Subassembly



Transmission Subassembly



Transmission Case Subassembly

