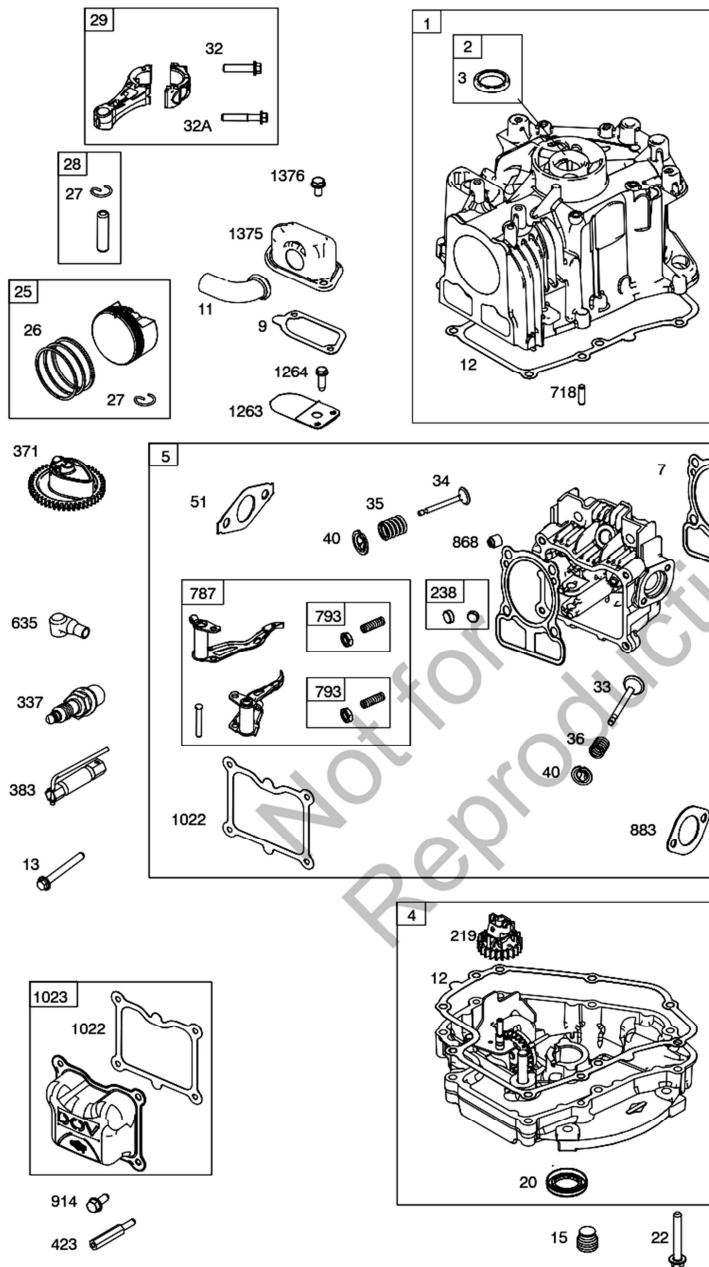


Machine



Moteur Briggs & Stratton



1319 WARNING LABEL

WARNING

- Read and follow Operating Instructions before starting engine.
- Gasoline is flammable. Allow engine to cool at least 2 minutes before refueling.
- Engine and carbon monoxide. DO NOT run in enclosed area.
- Exhaust area temperatures may exceed 1200°F. Do not touch hot parts.

REQUIRED when replacing parts with warning labels affixed.

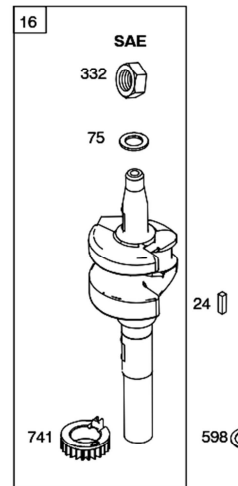
1319A WARNING LABEL

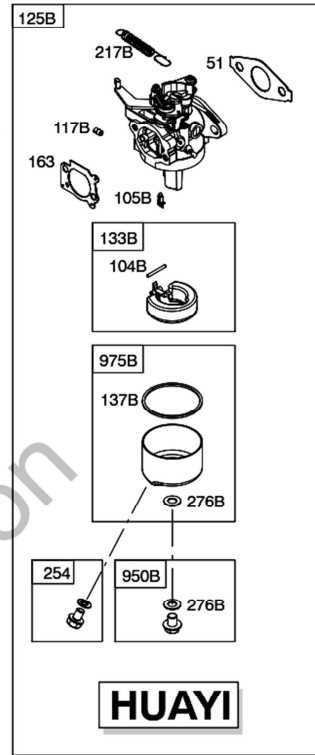
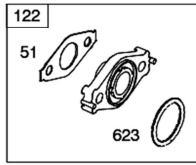
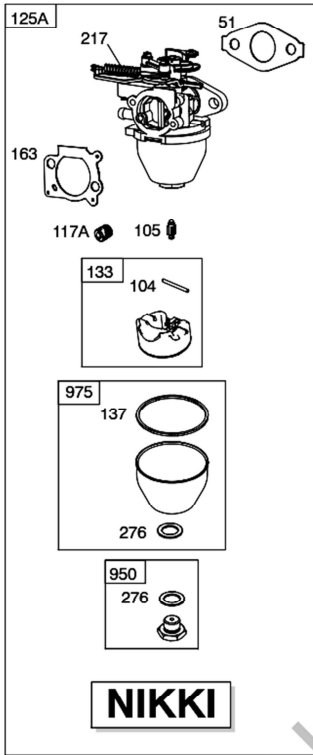
REQUIRED when replacing parts with warning labels affixed.

1058 OPERATOR'S MANUAL

1330 REPAIR MANUAL

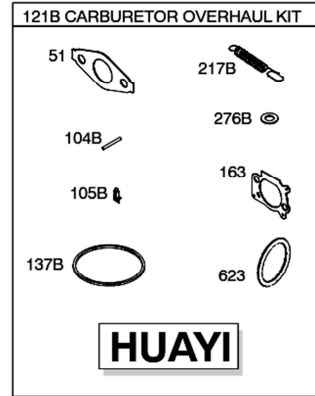
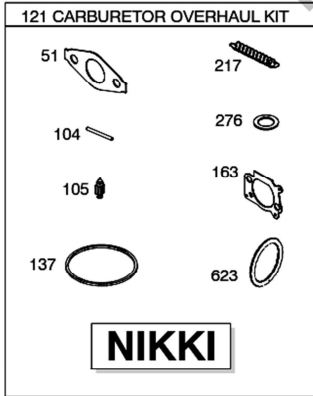
1036 EMISSIONS LABEL

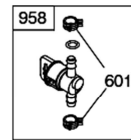
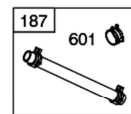
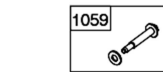
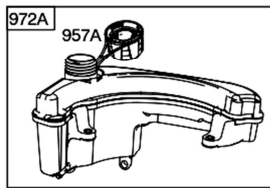
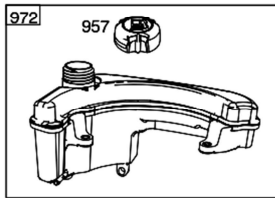
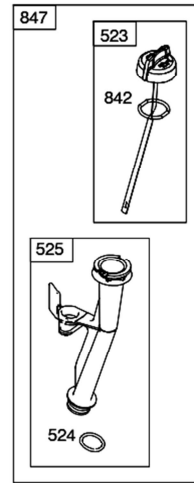
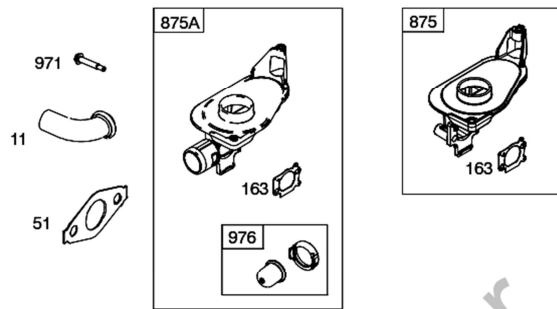
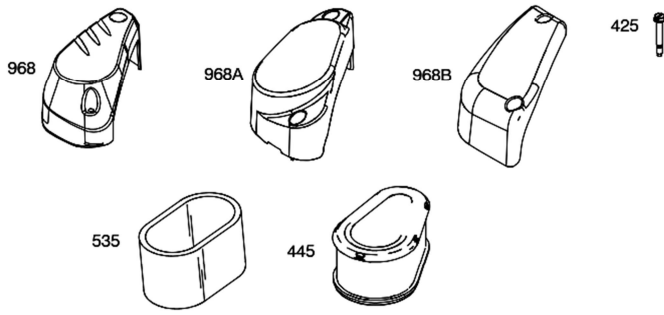




118A

118B





Not for
Reproduction

