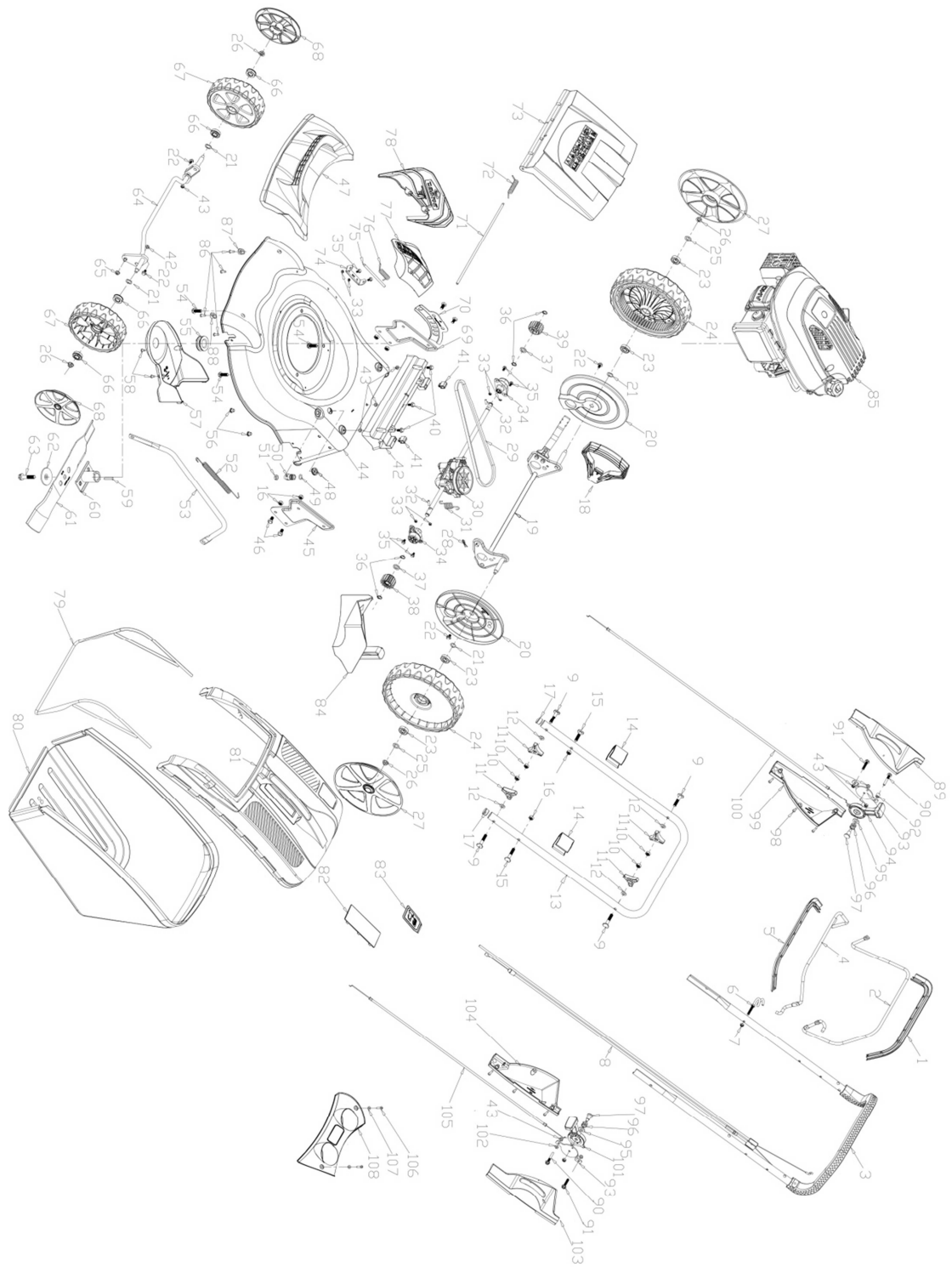
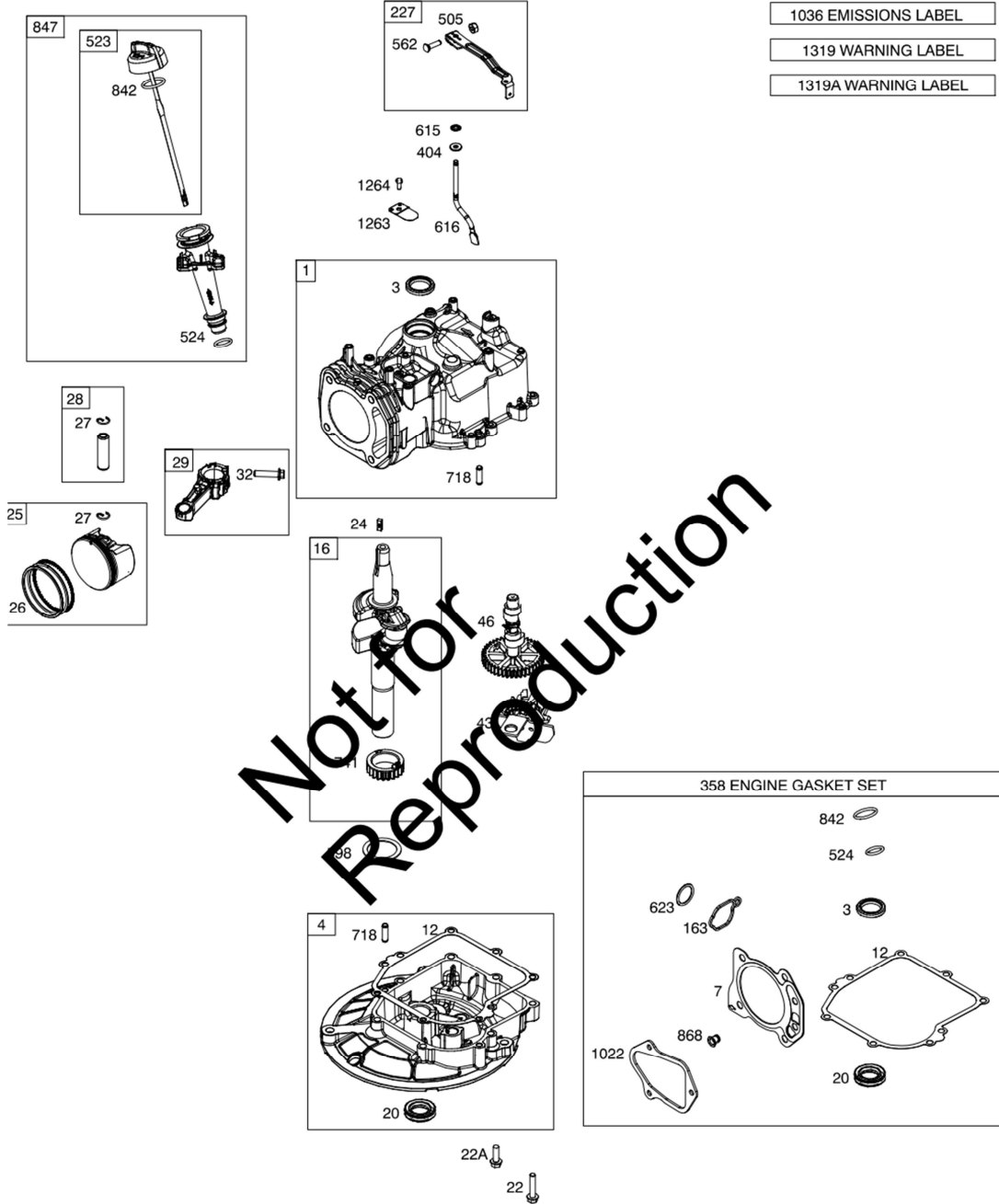


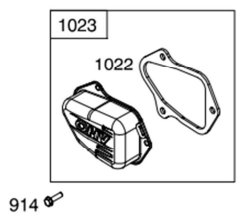
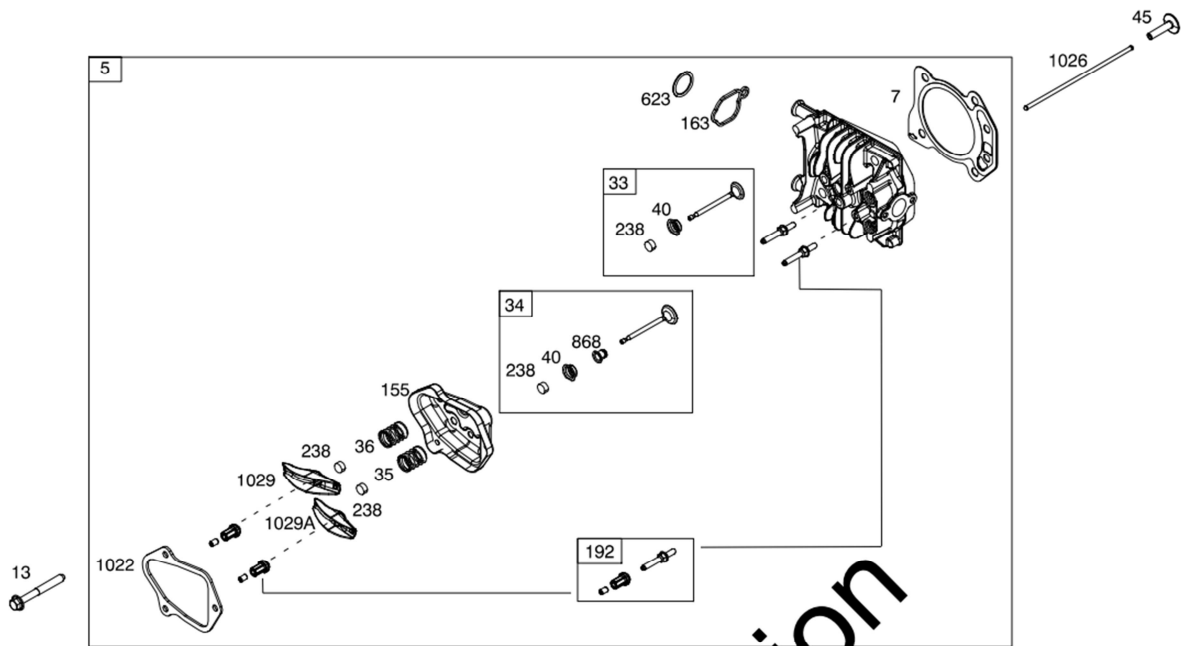
Machine



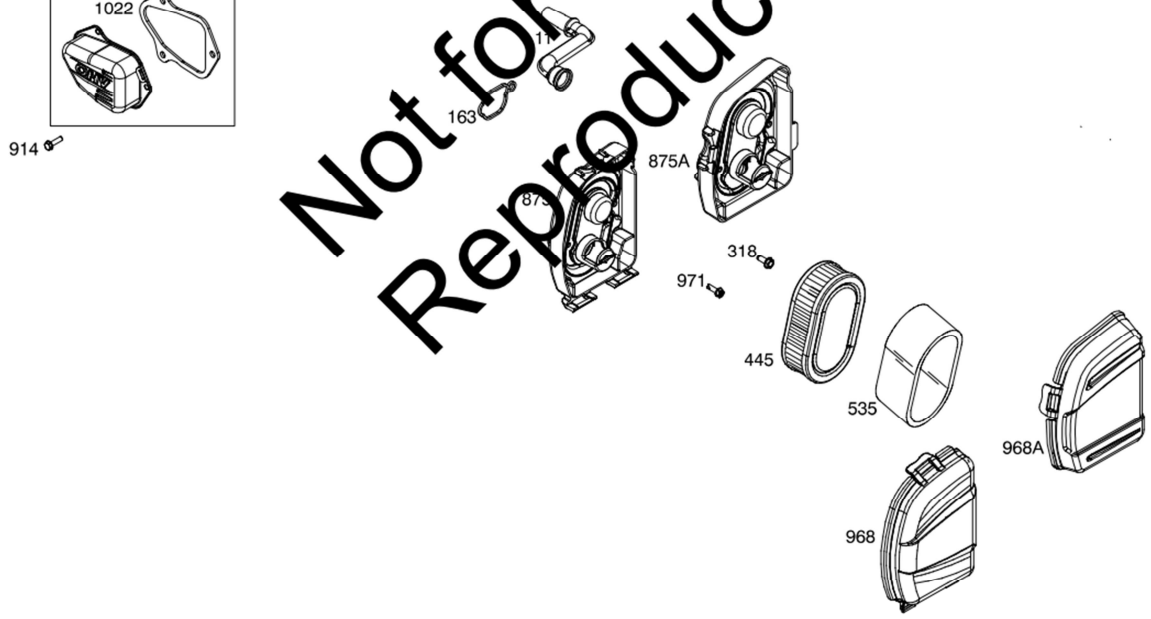
Moteur Briggs & Stratton

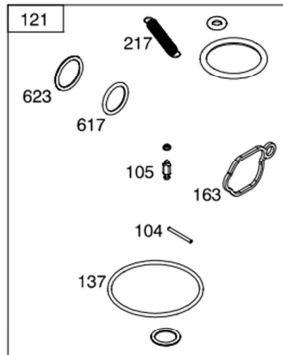
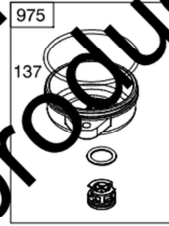
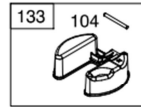
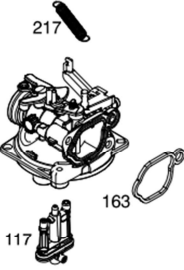
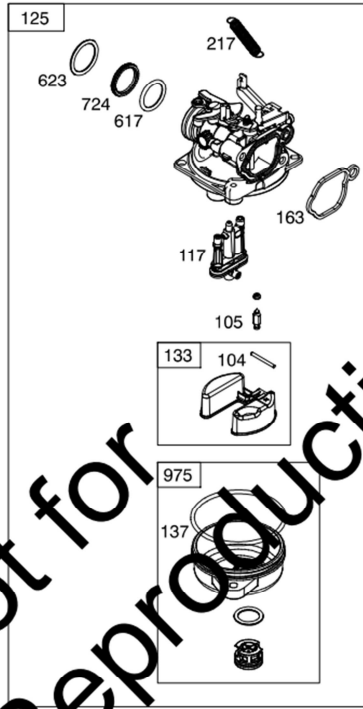
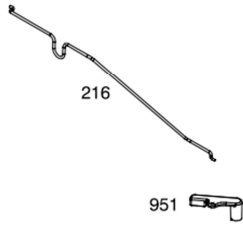
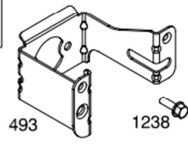
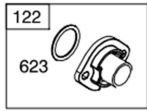


Not for
Reproduction

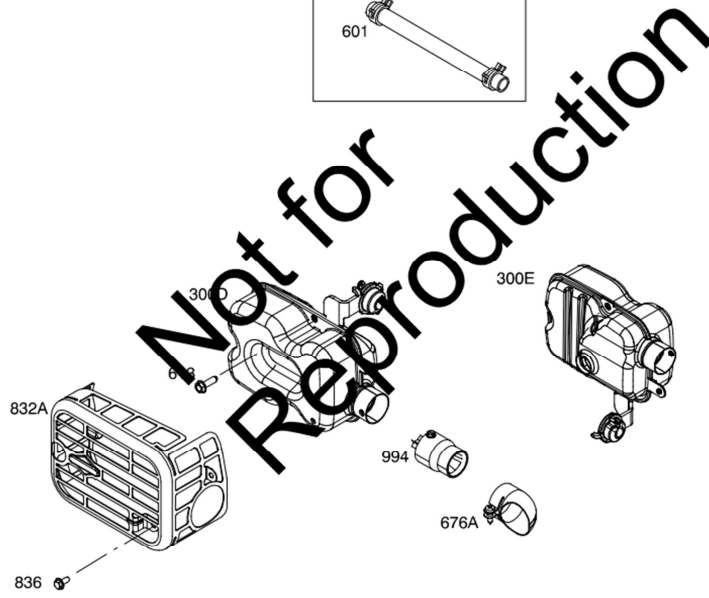
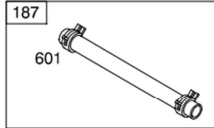
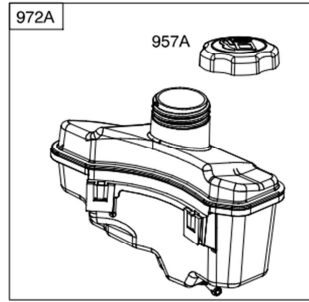
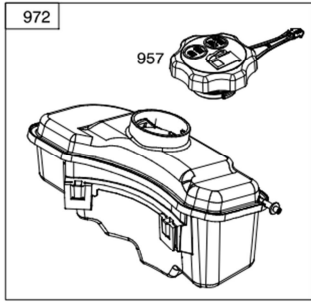


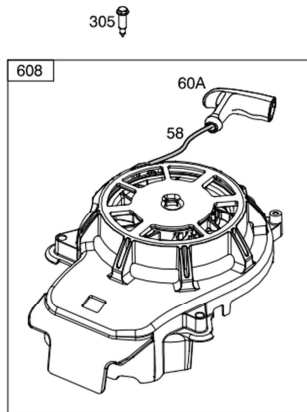
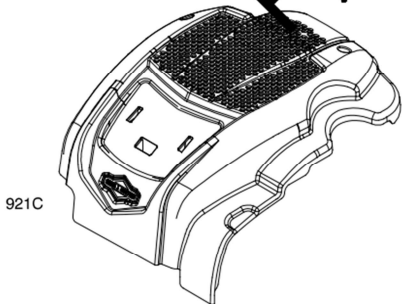
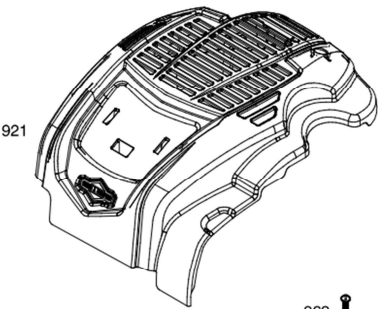
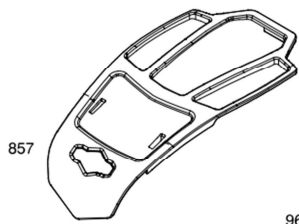
Not for
Reproduction



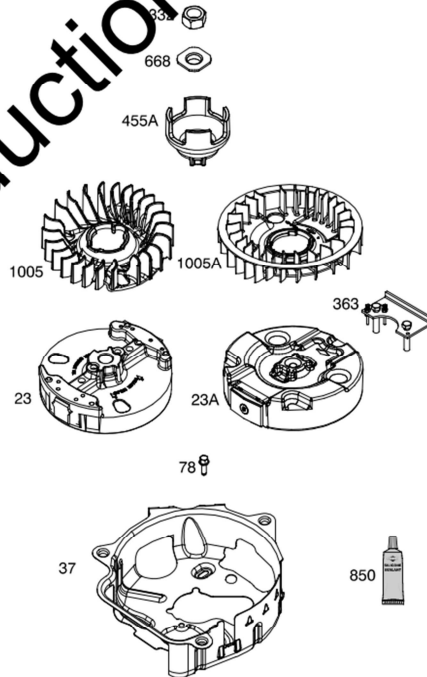


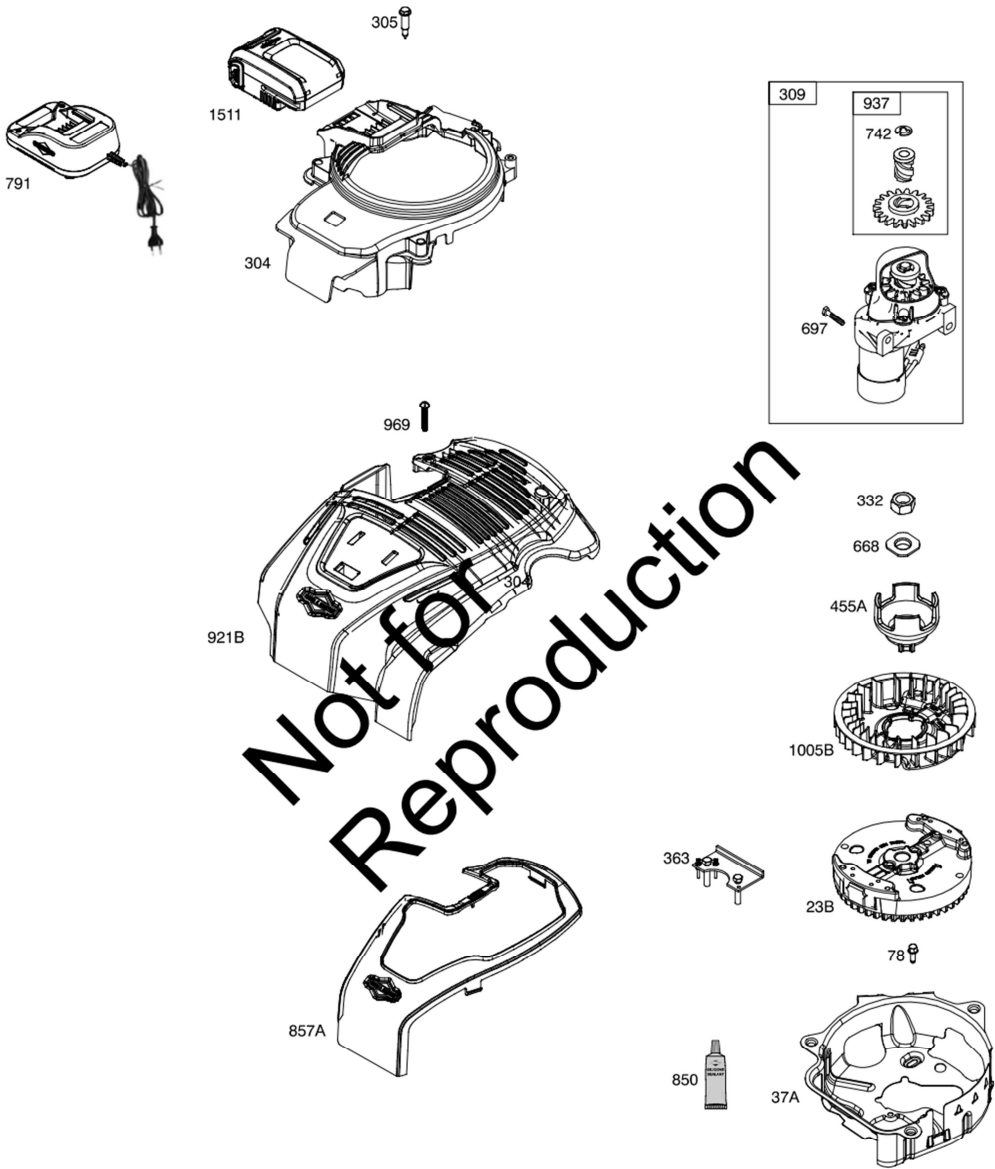
Not for
Reproduction

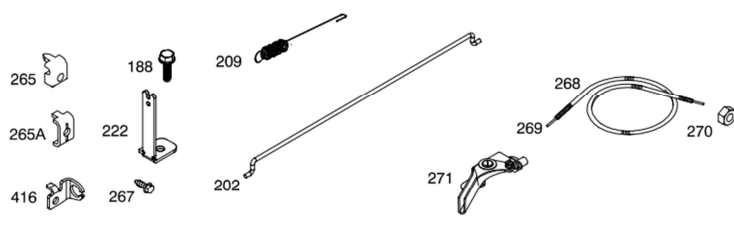
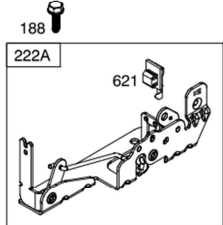
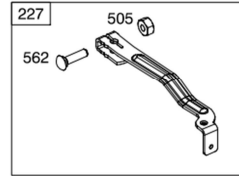
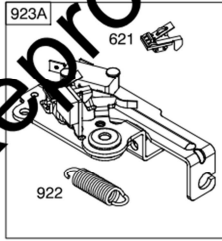
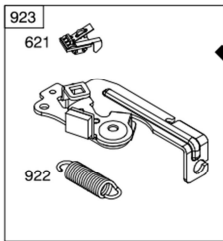
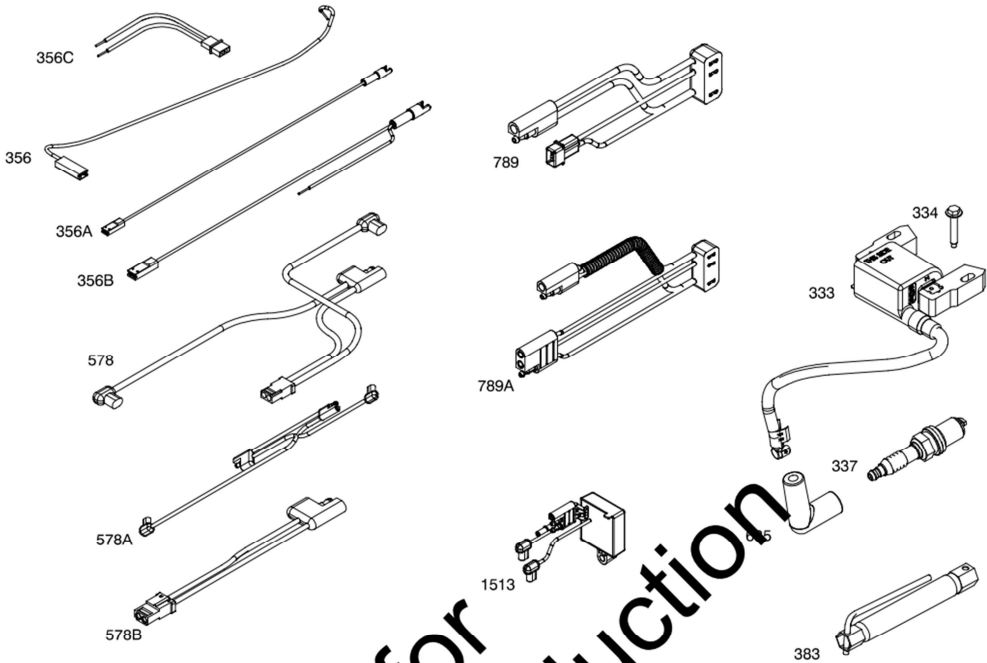




Not for
Reproduction







Not for
Reproduction